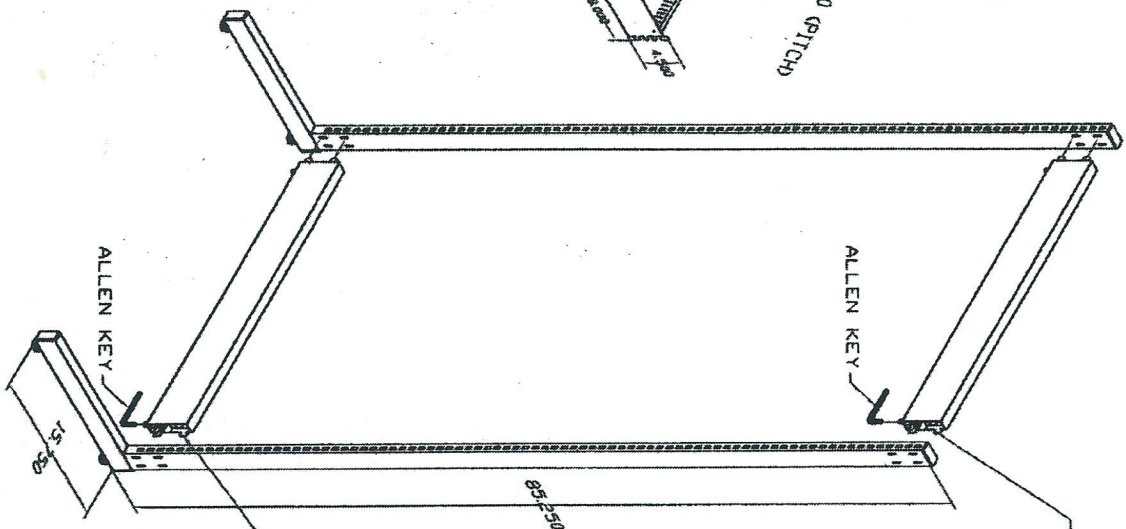
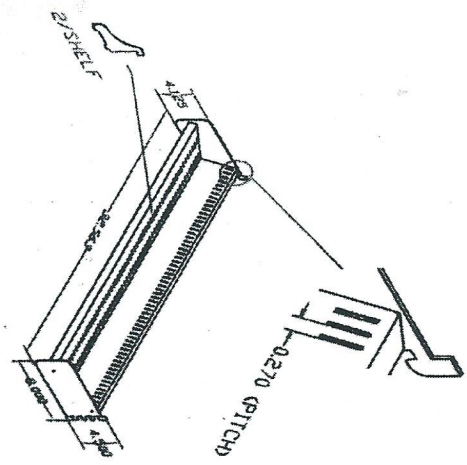


PROJECT NO. 10000000	DATE 10/1/84
REV. 1	DATE 10/1/84
REV. 2	DATE 10/1/84
REV. 3	DATE 10/1/84



INSERT THE 4 LOCK TABS INTO THE 4 SLOTS ON THE TUBE. ADJUST SCREW IF NECESSARY. USING THE HEX ALLEN KEY (INCLUDED) TIGHTEN THE HEX SCREW UNTIL TABS ARE LOCKED IN POSITION. REPEAT ON OTHER SIDE.

ASSEMBLY INSTRUCTIONS:
NOTE: ASSEMBLE POSTS & JOINERS FLAT ON FLOOR. THEN STAND UNIT FRAME UP AND INSERT SHELVES.

ASSEMBLY INSTRUCTION SAME ABOVE



REV.	DESCRIPTION	DATE	BY	APP.	DATE	DATE	SCALE	DWG. NO.	REV.
1									
2									
3									

DATE	DATE	DATE	DATE
10/1/84	10/1/84	10/1/84	10/1/84

DATE	DATE	DATE	DATE
10/1/84	10/1/84	10/1/84	10/1/84

DATE	DATE	DATE	DATE
10/1/84	10/1/84	10/1/84	10/1/84

DATE	DATE	DATE	DATE
10/1/84	10/1/84	10/1/84	10/1/84

DASCO DATA PRODUCTS
SINGLE SIDED ADJUSTA - STOR UNIT
ASSEMBLY SHOWN

THIS DRAWING, THE DESIGN AND DEVELOPMENT ARE THE PROPERTY OF AND ARE NOT TO BE USED OR REPRODUCED IN ANY MANNER WITHOUT WRITTEN CONSENT OF DASCO DATA PRODUCTS

DATE FEB 18/84
SCALE
C
9065
REV 00